

Jackson, Wisconsin
Website: www.novuspowerequipment.com
Email: Support@novuspowerequipment.com
Toll-Free Phone: 800-409-7802

2025 V01

INVERTER GENERATOR
NV4000iS
Product No: A060030001
QUICK START GUIDE

2025 V01

1

UNPACKING

Carefully lift the generator out from the carton/box and place the unit on the ground or other solid surface.

Note: Do not discard packaging until you have confirmed the Oil Bottle (0.5L – 17oz 10W-30), Oil Funnel, tool kit and Operator's Manual are present.

2



ADD ENGINE OIL

Important Note: Engine is shipped from the factory without oil. Engine Oil Must be added prior to operating generator.

Note: The oil fill location is located behind the oil cover plate on the right-hand side of the generator.

1. Place the generator on a flat and level surface.
2. Using the supplied funnel and hose, add up to (.5L / 17oz) of oil to the engine. The oil should be near the top thread of the fill neck.
3. Check the oil level using the dipstick. Do Not screw in when checking the oil level.
4. When finished screw in the oil cap / dipstick securely.

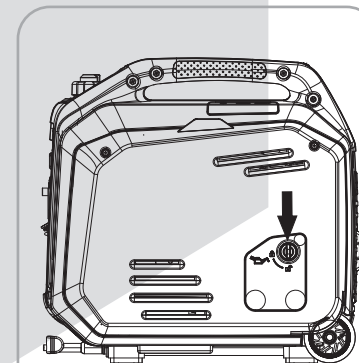


READ AND UNDERSTAND THE OPERATOR'S MANUAL AND ALL SAFETY WARNINGS BEFORE USE

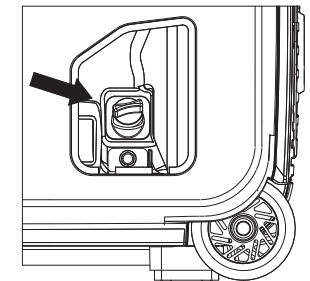
Quick Start Guide Contents

- Unpacking unit
- Package Contents
- Starting and Operating Procedures

If you require assistance during setup or operation, please contact our customer support team toll-free at (800) 409-7802 or email at support@novuspowerequipment.com



Turn cover lock screw counterclockwise ¼ turn to unlock. Pull door down to open.

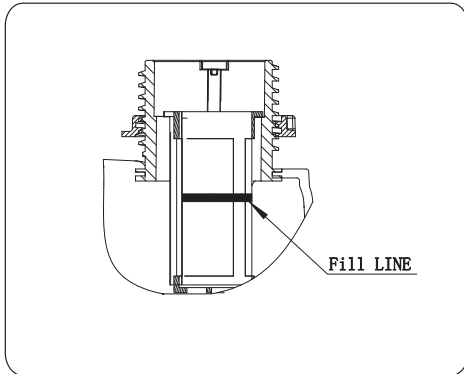


Remove oil dipstick. Add oil to the engine at this location.

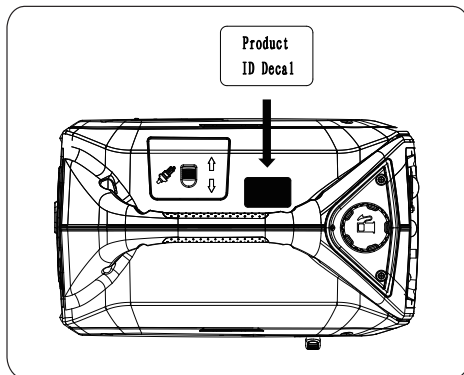
ADD FUEL

1. Slowly add fresh regular unleaded gasoline with a minimum of 87 octane and a maximum of 10% ethanol to the fuel tank.
2. Replace and tighten the fuel cap.
3. Immediately wipe up any spilled fuel.

Important Note: Avoid overfilling the fuel tank. Do not exceed the "Red" line of the fuel screen inside the fuel tank opening. (fuel tank capacity is 1.8 gal)



Collect and retain the product, model and serial number from the product ID decal located on the top panel of the generator.



3

4

STARTING AND OPERATING PROCEDURES

This section of the quick start guide provides the basic instructions on how to start and operate your new Inverter Generator. This quick start guide is not a comprehensive guide, we recommend the operator's manual is read and understood before using your new equipment.

5

UNIT PREPARATION

Prior to starting the generator, always check the following.

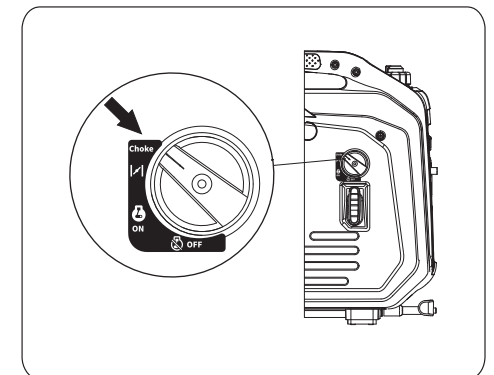


1. Check the engine oil level, add if necessary.
2. The fuel tank has fresh, unleaded 87 octane gasoline containing up to a maximum of 10% ethanol.
3. The generator must be located outdoors in an open well-ventilated area away from windows, doors & vents.
4. All electrical loads are disconnected from the generator.

6

STARTING THE GENERATOR

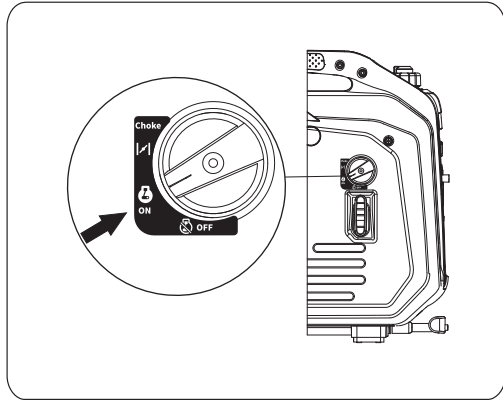
1. Turn the Engine Control Switch (side of generator) clockwise to the "Choke" position.



KEY FEATURES

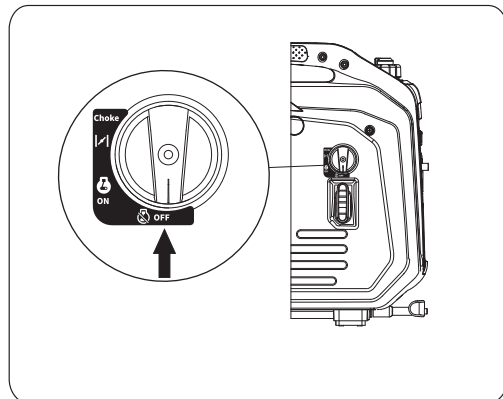
2. Start the engine by pulling the recoil starter handle out slowly until resistance is felt, then pull rapidly.
3. Once the engine starts, turn the Engine Control Switch to the "ON" position.

Allow the generator to run 30-50 seconds with the engine running smoothly before connecting an electrical load.



STOPPING THE GENERATOR

1. Turn Off all electrical appliances connected to the generator.
2. Remove all plugs / cords from the generator.
3. Turn the Engine Control Switch knob to the "OFF" position. Allow the generator to cool down prior to moving it to any enclosed area.



8

